

Panel mounting socket outlet straight - flange 50x50 without hinged cover

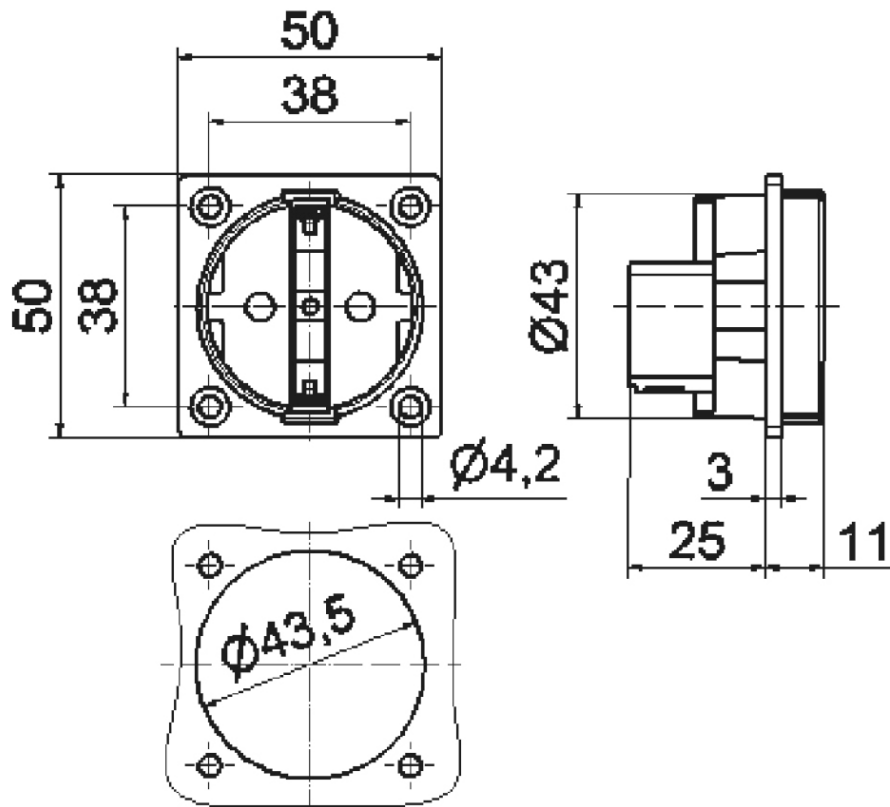


Product description	
BALS-Prd.-Nr	714
EAN	4024941007146
Product category	Domestic panel mounting socket outlet, straight, System F German standard
Current	16A
Number of poles	3p
Arrangement of phases	2P+PE
Voltage	250V~
Frequency	AC

Product description	
Protection degree	IP20
Colour code	black RAL 9005
Colour of appliance	Enclosure black RAL 9005
Connection design	head-screw terminal
Maximum conductor size	4,0 qmm
Cable entry	other
Height	50mm
Width	50mm
Depth	36mm
Flange size vertical in mm	50mm
Flange size horizontal in mm	50mm
Drill hole dist. vertical mm	38mm
Drill hole dist. horizontal mm	38mm
Material of enclosure	plastic
Contacts	the contact carrier is made of polyamide, the contacts are brass nickel plated

Additional technical information	
	The connection is rear
	Without hinged lid

Logistics data	
Weight/pcs	0.037 kg / Piece
Packaging	Bag
Content amount	1 ST
EAN	4024941007146
Length	36 mm
Width	50 mm
Height	50 mm
Weight	0.038 kg
Volume	90 ccm
Packaging	Carton
Content amount	20 ST
EAN	4024941835596
Length	276 mm
Width	174 mm
Height	80 mm
Weight	0.852 kg
Volume	2,808 ccm



18 MB 1