

Panel mounting socket outlet straight - flange 75x75 System E Belgian/French standard

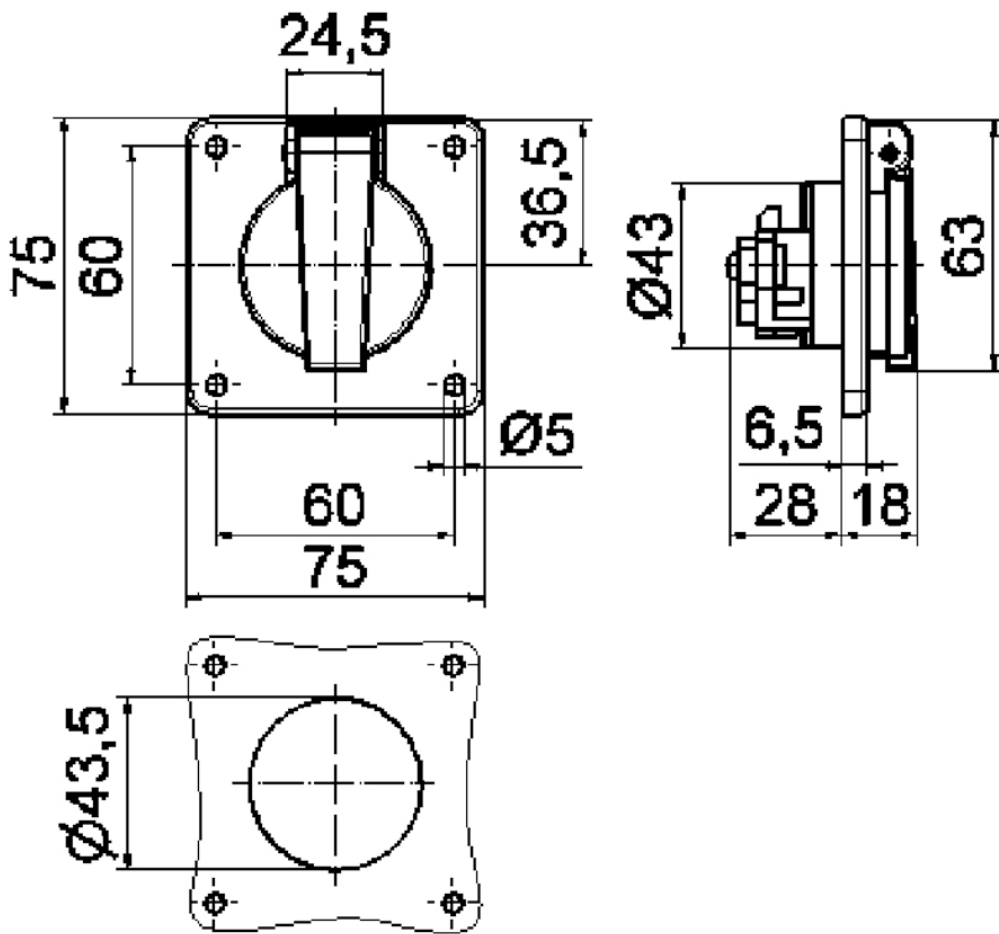


Product description	
BALS-Prd.-Nr	7140
EAN	4024941071406
Product category	Domestic panel mounting socket, System E Belgian/French standard
Current	16A
Number of poles	3p
Arrangement of phases	2P+PE
Voltage	250V~
Frequency	AC

Product description	
Protection degree	IP54
Colour code	blue RAL 5015
Colour of appliance	Enclosure blue RAL 5015, Hinged lid blue RAL 5015
Connection design	head-screw terminal
Maximum conductor size	4,0 qmm
Cable entry	other
Height	75mm
Width	75mm
Depth	53mm
Flange size vertical in mm	75mm
Flange size horizontal in mm	75mm
Drill hole dist. vertical mm	60mm
Drill hole dist. horizontal mm	60mm
Material of enclosure	Polyamide
Contacts	the contact carrier is made of high temperature resistant material, the contacts are brass nickel plated

Additional technical information	
	The connection is rear, With earth contact Belgian/French standard
	With hammer symbol

Logistics data	
Weight/pcs	0.076 kg / Piece
Packaging	Bag
Content amount	1 ST
EAN	4024941071406
Length	53 mm
Width	75 mm
Height	75 mm
Weight	0.077 kg
Volume	298.125 ccm
Packaging	Carton
Content amount	20 ST
EAN	4024941975254
Length	275 mm
Width	175 mm
Height	137 mm
Weight	1.645 kg
Volume	5,737.5 ccm



18 MB 39