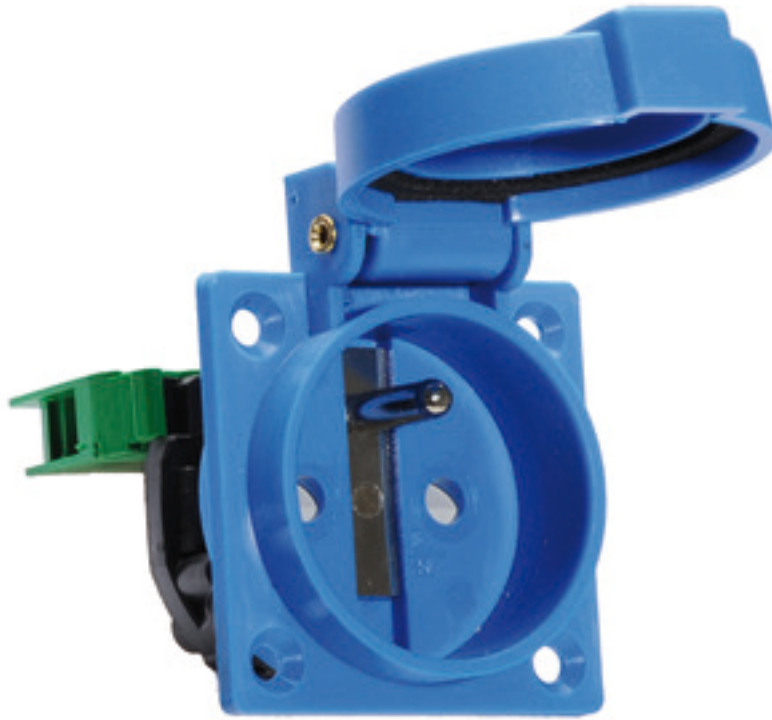


Panel mounting socket outlet straight - flange 50x50 fixing centers 38x38



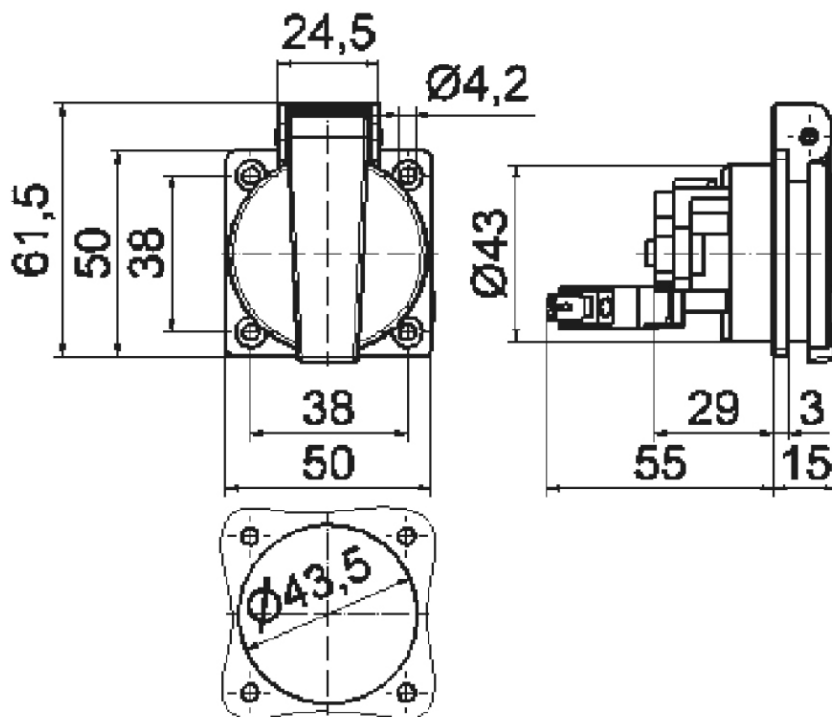
Product description	
BALS-Prd.-Nr	7163
EAN	4024941071635
Product category	Domestic panel mounting socket, System E Belgian/French standard
Current	16A
Number of poles	3p
Arrangement of phases	2P+PE
Voltage	250V~
Frequency	AC

Product description	
Protection degree	IP44
Colour code	blue RAL 5015
Colour of appliance	Enclosure blue RAL 5015, Hinged lid blue RAL 5015
Connection design	head-screw terminal
Maximum conductor size	4,0 qmm
Cable entry	other
Height	61.5mm
Width	24.5mm
Depth	78mm
Flange size vertical in mm	50mm
Flange size horizontal in mm	50mm
Drill hole dist. vertical mm	38mm
Drill hole dist. horizontal mm	38mm
Material of enclosure	Polyamide
Contacts	the contacts are brass nickel plated

Additional technical information	
	With N.O. contact normally close
	With hinged lid

Logistics data	
Weight/pcs	0.08 kg / Piece

Logistics data	
Packaging	Bag
Content amount	1 ST
EAN	4024941071635
Length	78 mm
Width	24.5 mm
Height	61.5 mm
Weight	0.081 kg
Volume	117.527 ccm



18 MB 36