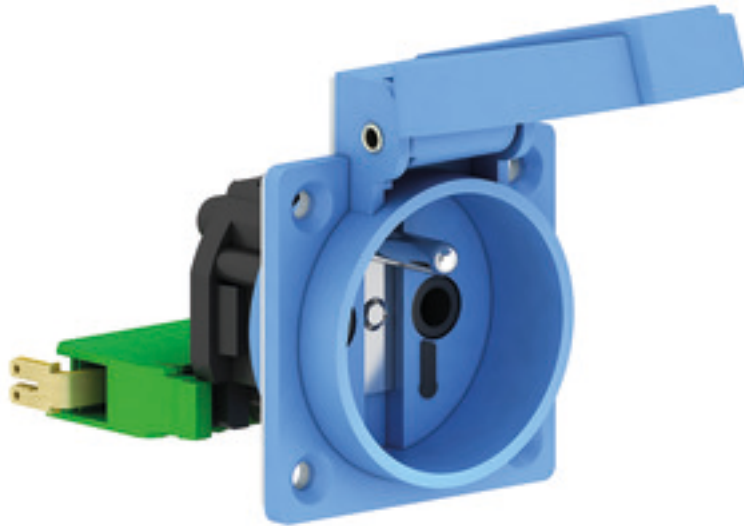


Panel mounting socket outlet straight - flange 50x50 fixing centers 38x38

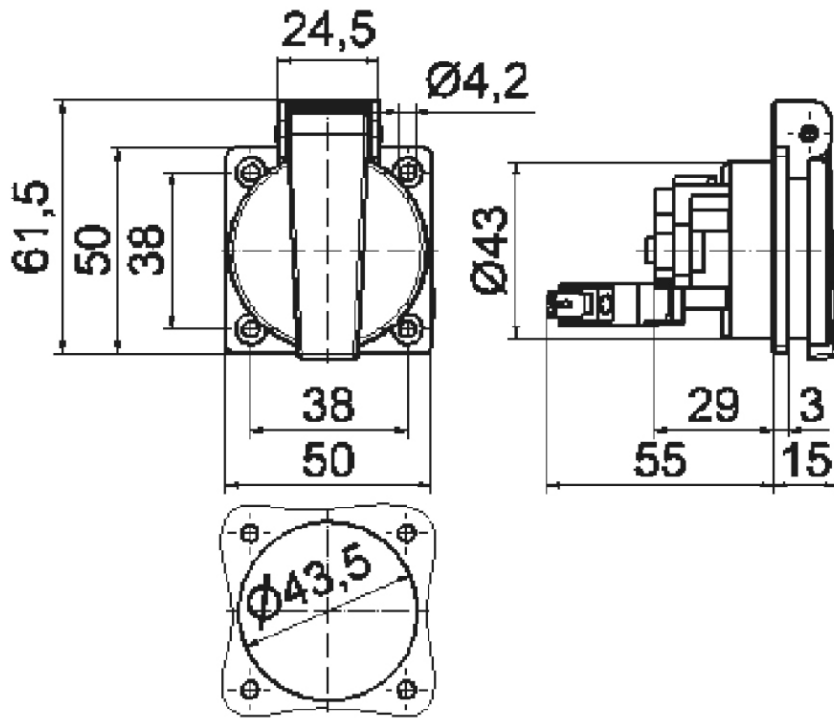


Product description	
BALS-Prd.-Nr	7199
EAN	4024941071994
Product category	Domestic panel mounting socket, System E Belgian/French standard
Current	16A
Number of poles	3p
Arrangement of phases	2P+PE
Voltage	250V~
Frequency	AC

Product description	
Protection degree	IP54
Colour code	blue RAL 5015
Colour of appliance	Enclosure blue RAL 5015, Hinged lid blue RAL 5015
Connection design	head-screw terminal
Maximum conductor size	4,0 qmm
Cable entry	other
Height	61.5mm
Width	50mm
Depth	63mm
Flange size vertical in mm	50mm
Flange size horizontal in mm	50mm
Drill hole dist. vertical mm	38mm
Drill hole dist. horizontal mm	38mm
Material of enclosure	plastic
Contacts	the contacts are brass nickel plated

Logistics data	
Weight/pcs	0.074 kg / Piece
Packaging	Bag
Content amount	1 ST
EAN	4024941071994

Logistics data	
Length	63 mm
Width	50 mm
Height	61.5 mm
Weight	0.075 kg
Volume	193.725 ccm
Packaging	Carton
Content amount	20 ST
EAN	4024941975292
Length	275 mm
Width	175 mm
Height	137 mm
Weight	1.605 kg
Volume	5,737.5 ccm



18 MB 36