

Three way connector - TN - with cable sleeve with suspension clip



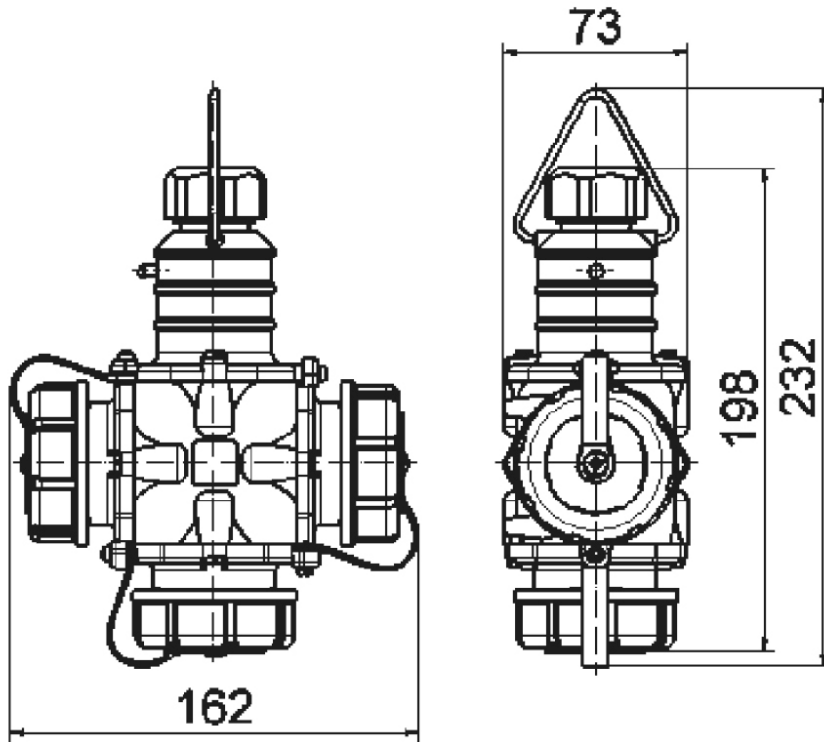
Product description	
BALS-Prd.-Nr	7400
EAN	4024941074001
Product category	TN three-way domestic connector
Current	16A
Number of poles	3p
Arrangement of phases	2P+PE
Voltage	250V~
Frequency	AC

Product description	
VG-type-no.:	VG 96926 04 ES
Supply no.:	5935-12-123-0129
Protection degree	IP68
Colour code	bronze-green RAL 6031-F9
Colour of appliance	Bayonet ring bronze-green RAL 6031-F9, Hinged lid bronze-green RAL 6031-F9, Enclosure bronze-green RAL 6031-F9
Connection design	head-screw terminal
Maximum conductor size	2,5 qmm
Cable entry	with cable gland
Height	232mm
Width	162mm
Depth	73mm
Material of enclosure	rubber
Contacts	the contact carrier is made of high temperature resistant material, the contacts are brass nickel plated

Additional technical information	
	For cable diameter up to max. 18.0 mm, With cable gland
	With bayonet cover on strap, With closure cap

Logistics data	
Weight/pcs	0.67 kg / Piece

Logistics data	
Packaging	Bag
Content amount	1 ST
EAN	4024941074001
Length	73 mm
Width	162 mm
Height	232 mm
Weight	0.671 kg
Volume	2,743.632 ccm
Packaging	Carton
Content amount	2 ST
EAN	4024941840231
Length	275 mm
Width	175 mm
Height	137 mm
Weight	1.465 kg
Volume	5,737.5 ccm



18 MB 27