

Domestic panel mounting appliance inlet - TN - flange 75x75 with closure cap



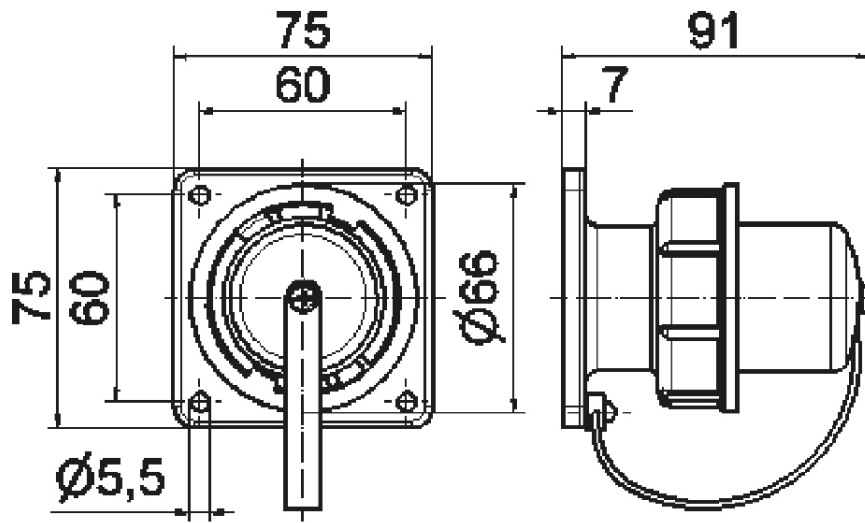
Product description	
BALS-Prd.-Nr	753
EAN	4024941007535
Product category	TN schuko-type panel mounting appliance inlet, straight
Current	16A
Number of poles	3p
Arrangement of phases	2P+PE
Voltage	250V~
Frequency	AC

Product description	
VG-type-no.:	VG 96926 AP 001
Supply no.:	5935-12-340-7272
Protection degree	IP67
Colour code	bronze-green RAL 6031-F9
Colour of appliance	Collar black RAL 9005, Closure cap bronze-green RAL 6031-F9, Enclosure bronze-green RAL 6031-F9
Connection design	with screw terminal
Maximum conductor size	4,0 qmm
Cable entry	other
Height	75mm
Width	75mm
Depth	91mm
Flange size vertical in mm	75mm
Flange size horizontal in mm	75mm
Drill hole dist. vertical mm	60mm
Drill hole dist. horizontal mm	60mm
Material of enclosure	plastic
Contacts	the contact carrier is made of high temperature resistant material, the contacts are brass nickel plated

Additional technical information	
	also suitable for Belgian/French standard

Additional technical information	
	With closure cap

Logistics data	
Weight/pcs	0.14 kg / Piece
Packaging	Bag
Content amount	1 ST
EAN	4024941007535
Length	91 mm
Width	75 mm
Height	75 mm
Weight	0.141 kg
Volume	511.875 ccm
Packaging	Carton
Content amount	10 ST
EAN	4024941840200
Length	245 mm
Width	177 mm
Height	185 mm
Weight	1.533 kg
Volume	7,140 ccm



18 MB 16