

Accessories plugs/connectors - Closure cap for CEE plugs



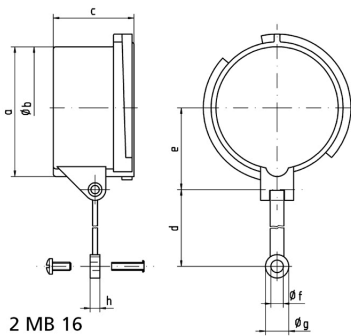
Product description	
BALS-Prd.-Nr	830
EAN	4024941008303
Product category	closure cap
Current	16A
Number of poles	3p
Arrangement of phases	3P
Protection degree	IP67
Colour code	grey RAL 7035

Product description	
Height	70mm
Width	60mm
Depth	41.5mm
Material of enclosure	Polyamide

Additional technical information	
	With strap

Logistics data	
Weight/pcs	0.035 kg / Piece
Packaging	Bag
Content amount	1 ST
EAN	4024941008303
Length	41.5 mm
Width	60 mm
Height	70 mm
Weight	0.036 kg
Volume	174.3 ccm
Packaging	Carton
Content amount	10 ST
EAN	4024941946728
Length	207 mm

Logistics data	
Width	162 mm
Height	142 mm
Weight	0.45 kg
Volume	3,750 ccm



Ampere Polzahl	16 3	16 4	16 5	32 3/4	32 5	63 3/4/5	125 3/4/5
a	53,0	59,5	67,0	70,0	76,5	83,5	95,5
b ø	49,5	55,7	63,0	64,0	70,5	76,5	89,0
c	41,5	41,5	41,5	51,5	51,5	72,5	80,0
d	133,0	133,0	133,0	133,0	133,0	155,0	155,0
e	34,5	38,0	42,0	44,0	48,0	52,0	57,5
f ø	6,4	6,4	6,4	6,4	6,4	6,4	6,4
g ø	12,0	12,0	12,0	12,0	12,0	12,0	12,0
h	5,0	5,0	5,0	5,0	5,0	5,0	5,0