

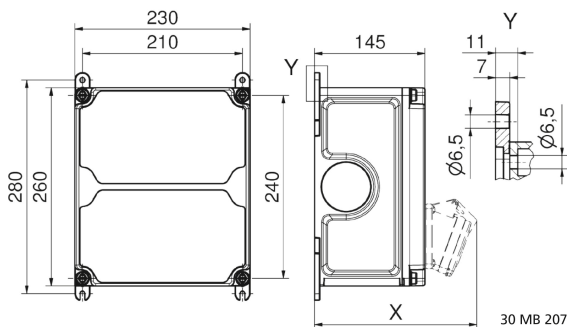
## Surface-mounting distributor - plastic - VARIABOX - M



Product description	
BALS-Prd.-Nr	89046
EAN	4024941205795
Product category	VARIABOX - M
Specification/Norm	DIN EN 61439-3
Protection degree	IP44
Colour of appliance	Housing bottom similar black RAL 9017, Housing top grey RAL 7035
Height	260mm
Width	230mm
Depth	145mm

Product description	
RDF factor	0.66
Nominal current InA	40

Logistics data	
Weight/pcs	4.088 kg / Piece
Packaging	Carton
Content amount	1 ST
EAN	4024941205795
Length	300 mm
Width	270 mm
Height	255 mm
Weight	4.324 kg
Volume	20,655 ccm


**Tiefenmaß/ depth X (mm)**

Bezeichnung/ with	IP44	IP67
OTC-Klappe/ OTC operating window	180	180
Schutzk. Steckdose/domestic socket	162	205
CEE 16A 3p	200	200
CEE 16A 4p	204	202
CEE 16A 5p	207	205
CEE 32A 3p/4p	211	213
CEE 32A 5p	213	214
CEE 63A 3p/4p/5p	229	231