

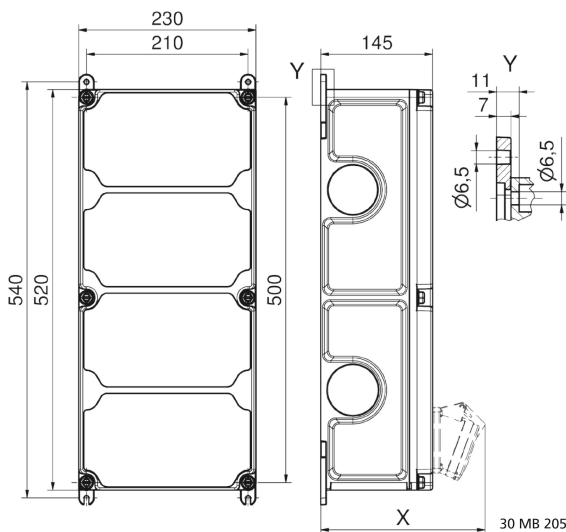
# Surface-mounting distributor - plastic - VARIABOX - XL



Product description	
BALS-Prd.-Nr	89093
EAN	4024941206266
Product category	VARIABOX - XL
Specification/Norm	DIN EN 61439-2
Protection degree	IP44
Colour of appliance	Housing bottom similar black RAL 9017, Housing top grey RAL 7035
Height	520mm
Width	230mm
Depth	145mm

Product description	
RDF factor	1
Nominal current InA	63

Logistics data	
Weight/pcs	6.378 kg / Piece
Packaging	Carton
Content amount	1 ST
EAN	4024941206266
Length	560 mm
Width	270 mm
Height	255 mm
Weight	6.827 kg
Volume	38,556 ccm



Tiefenmaß/ depth X (mm)

Bezeichnung/ with	IP44	IP67
OTC-Klappe/ OTC operating window	180	180
Schutzk. Steckdose/domestic socket	162	205
CEE 16A 3p	200	200
CEE 16A 4p	204	202
CEE 16A 5p	207	205
CEE 32A 3p/4p	211	213
CEE 32A 5p	213	214
CEE 63A 3p/4p/5p	229	231