

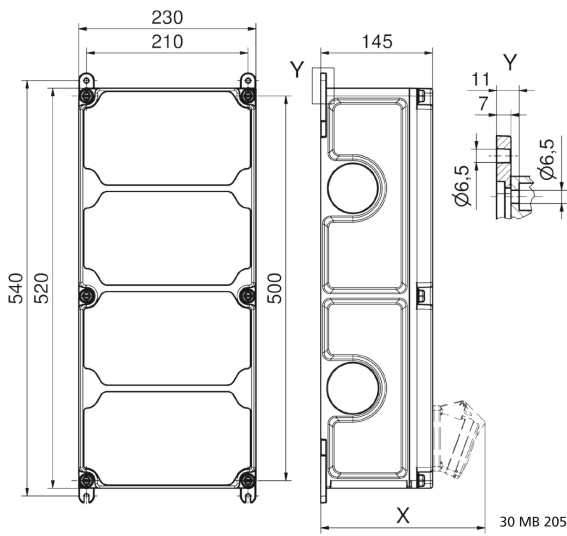
Surface-mounting distributor - plastic - VARIABOX - XL Plus



Product description	
BALS-Prd.-Nr	89201
EAN	4024941004824
Product category	VARIABOX - XL Plus
Specification/Norm	DIN EN 61439
Protection degree	IP54
Colour of appliance	Housing bottom similar black RAL 9017, Housing top grey RAL 7035
Height	520mm
Width	230mm

Product description	
Depth	145mm
RDF factor	0.72
Nominal current InA	63

Logistics data	
Weight/pcs	6.346 kg / Piece
Packaging	Carton
Content amount	1 ST
EAN	4024941004824
Length	560 mm
Width	270 mm
Height	255 mm
Weight	6.795 kg
Volume	38,556 ccm

Tiefenmaß/ depth X (mm)

Bezeichnung/ with	IP44	IP67
OTC-Klappe/ OTC operating window	180	180
Schutzk. Steckdose/domestic socket	162	205
CEE 16A 3p	200	200
CEE 16A 4p	204	202
CEE 16A 5p	207	205
CEE 32A 3p/4p	211	213
CEE 32A 5p	213	214
CEE 63A 3p/4p/5p	229	231